

HOBART

GENUINE PARTS

HIGH USAGE PARTS CATALOG

HOBART

- Mixers
- Slicers
- Mixer-Grinders
- Meat Saws
- Meat Grinders
- Meat Choppers
- Dish Machines
 - Undercounter
 - Door-Type
 - Conveyor-Type
 - Flight-Type
- Wrappers
- Service Scales
- Rotating Rack Ovens



BAXTER

- Rotating Rack Ovens



TABLE OF CONTENTS

HOBART FOOD PREPARATION EQUIPMENT

Mixers

HL120	3
HL200	4
HL300	5
HL400	6
HL600	7
HL662	8
HL800	9
HL1400	10

Slicers

HS6	11
HS6N	12
HS7	13
HS7N	14
HS8	15
HS8N	16
HS9	17
HS9N	18

Mixer-Grinders

MG1532	19
MG2032	20
4246	21

Meat Saws

6614	22
6801	23

Meat Grinder

4146	24
------	----

Meat Choppers

4732	25
4732A	26
4812	27
4822	28

HOBART DISH MACHINES

Undercounter

LXeC	29
LXeH	30
LXeR	31
LXePR	32
LXGeR	33

Door-Type

AM14	34
AM15	35
AM15T	36
AM15VL	37
AM15VLT	38

AM15SCB	39
AM16	40
AM16T	41
AM16VL	42
AM16VLT	43

Prep Washer

PW10, PW20, PW10eR, PW20eR, PWV, PWVeR	44
--	----

Conveyor-Type

CL44e, CL54e	45
CL44eR, CL54eR	46
CL64e	47
CL64eR	48
CLPS66e, CLPS76e, CLPS86e	49
CLPS66eR, CLPS76eR, CLPS86e	50
CLCS66e, CLCS76e, CLCS86e	51
CL44eN, CL54eN	52
CL64eN	53
CLPS66eN, CLPS76eN, CLPS86eN	54
CLCS66eN, CLCS76eN, CLCS86eN	55

Flight-Type

FT900	56
FT1000	57

HOBART WEIGH WRAP EQUIPMENT

Wrapping Equipment

NGW	58
HWS	59
W32C	60
CLAS	61

Weighing Equipment

HT Series	62
HTi	63

HOBART RACK OVENS

Rotating Rack Ovens

HBA1G	64
HBA2G	65

BAXTER RACK OVENS

Mini Rotating Rack Ovens

OV300G	66
OV310G	67

Rotating Rack Ovens

OV500G1	68
OV500G2	69
OV500G1EE	70
OV500G2EE	71

HL120 Mixer



PART NUMBER	PART NAME
00-917797-00002	GEAR, INSULATED WORM
00-917358	HOLDER, MAGNET-LOWER
00-937623	MAGNET, DISC
00-917357	HOLDER, MAGNET-UPPER
00-087711-00352	SWITCH, REED
00-937726-00001	CONTROLLER, FUJI C2 120V (HL200, HL120)
00-937163-00001	CAGE, WIRE ASSY, HL200
00-937698-00001	TOP COVER ASSY., (STD) HL-200 MIXER
01-436500-70482	THERMOSTAT AMER THERM#B-200
00-917272	CUP, DRIP AND FLANGE
00-873360	I, PK MTL, HL12D WHIP
00-291221	GEAR-WORM
00-874755	COVER, TRANSMISSION (MACH)
00-120872-00004	SWITCH ASSY.
00-120872-00002	SWITCH
00-103881-00044	LUBRICANT,/CONTAINER ASSY
00-271343	GROMMET, HANDLE
00-103881-00047	LUBRICANT,/CONTAINER ASSY
00-108197-00001	THUMB SCREW
00-874753	PLUNGER, ASSY

HL200 Mixer



PART NUMBER	PART NAME
00-917797-00002	GEAR, INSULATED WORM
00-917272	CUP, DRIP AND FLANGE
00-087711-00352	SWITCH, REED
00-103881-00047	LUBRICANT,/CONTAINER ASSY
00-937163-00001	CAGE, WIRE ASSY, HL200
00-937623	MAGNET, DISC
00-917357	HOLDER, MAGNET-UPPER
00-917358	HOLDER, MAGNET-LOWER
00-103881-00044	LUBRICANT,/CONTAINER ASSY
00-937693	BOARD ASSY, PRINTED CIRCUIT
00-937726-00001	CONTROLLER, FUJI C2 120V (HL200, HL120)
00-916593	SWITCH, SEALED DOME
00-937751-00001	LUBRICANT/CONTAINER ASSY (8 oz.)
00-937061	SWITCH, SELECTOR ASSY
00-012430-00024	KEY
00-916332	PLANETARY,ASSY
00-114695	OIL SEAL
00-916445	BUSHING, MOTOR MTG
00-067500-00050	O RING
00-874809	KNOB

HL300 Mixer



PART NUMBER	PART NAME
00-937210-00001	WIRE CAGE ASSY, STD
00-916502	BUSHING, SPLIT
00-916488	SPRING, COMPRESSION
00-916505	PIN, BOWL (RH)
00-103881-00044	LUBRICANT,/CONTAINER ASSY
00-916504-00001	HANDLE, BOWL RELEASE STD
00-916550	GLIDE, BOWL RELEASE
00-916501	RAMP
00-913102-00240	I, KIT TOP COVER & SCREWS
00-916339	GEAR, WORM 28T
00-917357	HOLDER, MAGNET-UPPER
00-917358	HOLDER, MAGNET-LOWER
00-937623	MAGNET, DISC
00-916506	PLATE, BOWL RELEASE
00-087711-00352	SWITCH, REED
00-937726-00002	CONTROLLER, FUJI C2 120V (HL300)
00-067500-00057	O RING
00-110334	SEAL
00-103881-00045	LUBRICANT,/CONTAINER ASSY
00-937751-00001	LUBRICANT/CONTAINER ASSY (8 oz.)

HL400 Mixer



PART NUMBER	PART NAME
00-916488	SPRING, COMPRESSION
00-916505	PIN, BOWL (RH)
00-916550	GLIDE, BOWL RELEASE
00-916506	PLATE, BOWL RELEASE
00-875356	HANDLE, LIFT LEVER (MICROBAN)
00-916502	BUSHING, SPLIT
00-916552	SHAFT, BOWL PIN HANDLE
00-937210-00001	WIRE CAGE ASSY, STD
00-916503	BLOCK, BOWL HANDLE
00-103881-00044	LUBRICANT,/CONTAINER ASSY
00-913102-00240	I, KIT TOP COVER & SCREWS
00-916501	RAMP
00-937210-00004	WIRE, CAGE ASSY SPECIAL 40 QT
00-937806	PCB ASSY, STD TIMER
00-087711-00352	SWITCH, REED
00-916504-00002	HANDLE, BOWL RELEASE SECURITY
00-916594	POTENTIOMETER ASSY
00-937751-00001	LUBRICANT/CONTAINER ASSY (8 oz.)
00-271341	SEAL
00-067500-00057	O RING

HL600 Mixer



PART NUMBER	PART NAME
00-937461	I, CONTROLLER & RESISTOR HL600
00-937751-00001	LUBRICANT/CONTAINER ASSY (8 oz.)
00-874219	PIN, BOWL RH SIDE
00-292288	SEAL
00-874198	SPRING, BOWL PIN
00-938684-00001	I, KIT FIXED SHOE
00-937277	PCB ASSY, STD TIMER
00-938684-00003	I, KIT FRONT SHOE
00-102973-00071	EP 460 128 OZ
00-087711-00338	SWITCH, PANEL FRONT
00-087713-107-4	CONTACTOR, 3-P, 30A/AUX SW
00-937963	MOTOR - 3 HP
00-874388	DETENT, CLEVIS PIN
00-874145	PLUNGER, ASSY
00-873939	SEAL
00-938684-00002	I, KIT ADJUSTABLE SHOE
00-937705	RESTBUTTON & BUSHING ASSY
00-875841-00006	PAINT, TOUCH-UP (BRIGHT SILVER)
00-913102-00344	KIT, AGITATOR SHAFT
00-874291	PLUG, PLASTIC PLANETARY

HL662 Mixer



PART NUMBER	PART NAME
00-102973-00071	EP 460 128 OZ
00-103881-00011	LUBRICANT & CONTAINER ASSY.
00-937463	I, CONTROLLER & RESISTOR HL662
00-937751-00001	LUBRICANT/CONTAINER ASSY (8 oz.)
00-875723	ENCODER, ASSY
00-087713-107-4	CONTACTOR, 3-P, 30A/AUX SW
00-873939	SEAL
00-087711-330-1	SWITCH, ROCKER
00-874458	PLUNGER, BOWL IN
00-938561	I, ASSY., SERVICE KIT, ACTUATOR
00-937963	MOTOR - 3 HP
00-874198	SPRING, BOWL PIN
00-478752-00003	FLUSH MOUNT, BLACK CAP I SATIN CHROME RING
00-873921-00002	BELT
00-087711-00338	SWITCH, PANEL FRONT
00-875915	SHAFT, PLANETARY
00-087711-00248	SWITCH, BOWL HGT.
00-873846	PIN, BOWL
00-874388	DETENT, CLEVIS PIN
00-873999	SHEAVE, DRIVE

HL800 Mixer



PART NUMBER	PART NAME
00-102973-00013	EP 150 6 OZ
00-102973-00071	EP 460 128 OZ
00-937466	I, A CTUATOR KIT, HL1400N
00-916065	SEAL, OIL PLANETARY
00-874454	SEAL, OIL
00-874388	DETENT, CLEVIS PIN
00-087711-00338	SWITCH, PANEL FRONT
00-067500-00021	O RING
00-874387	PIN, LIMIT
00-478752-00008	EXTENDED MOUNT, RED CAP O SATIN CHROME RING
00-874390	ND, BUSH, BOWL LOCK
00-874391	PIN, BOWL RH SIDE
00-873377	SPRING, BOWL PIN
00-874218	CLEVIS, BOWL LOCK
00-937533	COVER, SWITCH
00-874198	SPRING, BOWL PIN
00-290232-00002	PLAN OIL PUMP ASSY
00-874493	BELT, 675L10
00-938684-00002	I, KIT ADJUSTABLE SHOE
00-874138	BUSHING, BOWL PIN CAM

HL1400 Mixer



PART NUMBER	PART NAME
00-102973-00013	EP 150 6 OZ
00-068045	SEAL
00-913126-00074	LUBE KIT, HL1400/V1400
00-067500-00021	O RING
00-087711-00338	SWITCH, PANEL FRONT
00-102973-00071	EP 460 128 OZ
00-087711-00248	SWITCH, BOWL HGT.
00-065277	CAP SCREW
00-087711-330-1	SWITCH, ROCKER
00-937277	PCB ASSY, STD TIMER
00-875723	ENCODER, ASSY
00-874387	PIN, LIMIT
00-290232-00002	PLAN OIL PUMP ASSY
00-874198	SPRING, BOWL PIN
00-087711-00352	SWITCH, REED
00-874388	DETENT, CLEVIS PIN
00-938684-00002	I, KIT ADJUSTABLE SHOE
00-874566-00002	PLATE, BOWL IN SWITCH
00-065275	LOCK NUT
00-938684-00004	I, KIT BUMPER CAGE

HS6 Slicer



PART NUMBER	PART NAME
00-915267-00003	ASSY., PC BOARD MAN. 120-230V
00-915308	PLUG, RULON
00-915330	MANUAL BEZEL ASSY
00-915257	GRIP, PRODUCT FEED
00-915421-00002	MOUNTING SHAFT ASSEMBLY
00-875180-00002	RETAINER, LWR HUB&BEARING-MACH
00-915716	I, ASSY., MYLAR & GASKET
00-914413	STONE, TRUING
00-915297	TOP COVER KNOB
00-937969	I, ASSY, PULLEY KIT
00-439691	I, STONE, SERVICE ASSEMBLY
00-914408	COVER, RING GUARD
00-438845	BELT, POLY-V
00-914753	PACK ASY, SLICE KNIFE
00-915252	ROLLER BAR
00-914561	SCREW, RULON
00-914571	SHARPENER, ASSEMBLY
00-117542-00121	CORD/PLUG, ASSY (120)
00-915393	ASSEMBLY, TRAY
00-915268	THUMB GUARD

HS6N Slicer



PART NUMBER	PART NAME
00-915330	MANUAL BEZEL ASSY
00-915267-00003	ASSY., PC BOARD MAN. 120-230V
00-915716	I, ASSY., MYLAR & GASKET
00-915283-00003	SHAFT, NON-REMOVEABLE KNIFE
00-915308	PLUG, RULON
00-915257	GRIP, PRODUCT FEED
00-439691	I, STONE, SERVICE ASSEMBLY
00-875180-00002	RETAINER, LWR HUB&BEARING-MACH
00-914413	STONE, TRUING
00-937969	I, ASSY, PULLEY KIT
00-438845	BELT, POLY-V
00-915297	TOP COVER KNOB
00-913102-00261	KNOB, INDEX, KIT
00-117542-00124	CORD & PLUG ASSY.
00-914753-00002	PACK ASY, SLICE KNIFE
00-914571	SHARPENER, ASSEMBLY
00-915335-00001	CAM, INDEX HS SERIES
00-937631	KIT, BOTTLE W/OIL AND LABEL
00-915306-00002	INDEX SLIDER
00-271612-00002	START SWITCH

HS7 Slicer



PART NUMBER	PART NAME
00-915630	BOTTOM COVER
00-938408	BOARD PC, KEYBOARD
00-915320	J12 CABLE, (AUTO SLICER)
00-915650	ASSY., LIFT LINKAGE & GAS SPRING
00-915373	BELT, 150 TOOTH
00-915308	PLUG, RULON
00-915323	HARNESS, WIRE J2 (HS7/HS9)
00-915630-00002	BOTTOM COVER
00-439691	I, STONE, SERVICE ASSEMBLY
00-915350	PC BOARD, KEYPAD
00-913173	BEZEL ASSY. WITH LABEL
00-938411-00001	BOARD, PC, CONTROL, HS7 & HS9
00-914413	STONE, TRUING
00-915257	GRIP, PRODUCT FEED
00-914575	SPRING, GAS SUB-ASSEMBLY
00-915371	BELT, PRIMARY, AUTODRIVE
00-915421-00002	MOUNTING SHAFT ASSEMBLY
00-915255	BUMPER, SLIDE ROD
00-087711-00357	SWITCH, REED
00-875180-00002	RETAINER, LWR HUB&BEARING-MACH

HS7N Slicer



PART NUMBER	PART NAME
00-915630	BOTTOM COVER
00-938408	BOARD PC, KEYBOARD
00-915373	BELT, 150 TOOTH
00-913173	BEZEL ASSY. WITH LABEL
00-915283-00003	SHAFT, NON-REMOVEABLE KNIFE
00-915308	PLUG, RULON
00-915320	J12 CABLE, (AUTO SLICER)
00-938411-00001	BOARD, PC, CONTROL, HS7 & HS9
00-915630-00002	BOTTOM COVER
00-915650	ASSY., LIFT LINKAGE & GAS SPRING
00-915323	HARNESS, WIRE J2 (HS7/HS9)
00-915257	GRIP, PRODUCT FEED
00-915598	GASKET, AUTO BEZEL
00-915371	BELT, PRIMARY, AUTODRIVE
00-915346	OVERLAY, AUTO
00-438845	BELT, POLY-V
00-117542-00121	CORD/PLUG, ASSY (120)
00-439691	I, STONE, SERVICE ASSEMBLY
00-937840	I, KIT AUTO TRANS
00-937969	I, ASSY, PULLEY KIT

HS8 Slicer



PART NUMBER	PART NAME
00-915267-00003	ASSY., PC BOARD MAN. 120-230V
00-915330	MANUAL BEZEL ASSY
00-915257	GRIP, PRODUCT FEED
00-915308	PLUG, RULON
00-915393	ASSEMBLY, TRAY
00-915716	I, ASSY., MYLAR & GASKET
00-914753	PACK ASY, SLICE KNIFE
00-914561	SCREW, RULON
00-875180-00002	RETAINER, LWR HUB&BEARING-MACH
00-915421-00002	MOUNTING SHAFT ASSEMBLY
00-914408	COVER, RING GUARD
00-915391	ASSEMBLY, TOP COVER
00-478420	ROLLER, ASSY TRANSPORT
00-913102-00261	KNOB, INDEX, KIT
00-087711-00358	SWITCH, MINIATURE
00-117542-00121	CORD/PLUG, ASSY (120)
00-087711-00357	SWITCH, REED
00-439691	I, STONE, SERVICE ASSEMBLY
00-915264	WIRE HARNESS, HS8
00-915252	ROLLER BAR

HS8N Slicer



PART NUMBER	PART NAME
00-915267-00003	ASSY., PC BOARD MAN. 120-230V
00-915330	MANUAL BEZEL ASSY
00-439691	I, STONE, SERVICE ASSEMBLY
00-478420	ROLLER, ASSY TRANSPORT
00-915716	I, ASSY., MYLAR & GASKET
00-915308	PLUG, RULON
00-914413	STONE, TRUING
00-087711-00358	SWITCH, MINIATURE
00-915252	ROLLER BAR
00-915393	ASSEMBLY, TRAY
00-915257	GRIP, PRODUCT FEED
00-915289-00002	SUPPORT, GAUGE PLATE
00-914753-00002	PACK ASY, SLICE KNIFE
00-915335-00001	CAM, INDEX HS SERIES
00-913102-00261	KNOB, INDEX, KIT
00-438845	BELT, POLY-V
00-914408	COVER, RING GUARD
00-913102-00261	KNOB, INDEX, KIT
00-087711-00357	SWITCH, REED
00-915282-00001	GAUGE PLATE

HS9 Slicer



PART NUMBER	PART NAME
00-915630-00002	BOTTOM COVER
00-938408	BOARD PC, KEYBOARD
00-915257	GRIP, PRODUCT FEED
00-915308	PLUG, RULON
00-913173	BEZEL ASSY. WITH LABEL
00-915630	BOTTOM COVER
00-915320	J12 CABLE, (AUTO SLICER)
00-915373	BELT, 150 TOOTH
00-439691	I, STONE, SERVICE ASSEMBLY
00-913102-00261	KNOB, INDEX, KIT
00-914753-00003	PACK ASY, SLICE KNIFE
00-938952	ASSEMBLY, TRAY, -1B
00-938411-00001	BOARD, PC, CONTROL, HS7 & HS9
00-915323	HARNESS, WIRE J2 (HS7/HS9)
00-937680	BEZEL, SUPPORT ASSY
00-937678	GASKET, CONTROL PANEL BOTTOM
00-438845	BELT, POLY-V
00-914413	STONE, TRUING
00-915421-00002	MOUNTING SHAFT ASSEMBLY
00-915371	BELT, PRIMARY, AUTODRIVE

HS9N Slicer



PART NUMBER	PART NAME
00-938408	BOARD PC, KEYBOARD
00-915630	BOTTOM COVER
00-915257	GRIP, PRODUCT FEED
00-913173	BEZEL ASSY. WITH LABEL
00-439691	I, STONE, SERVICE ASSEMBLY
00-914413	STONE, TRUING
00-915320	J12 CABLE, (AUTO SLICER)
00-915323	HARNESS, WIRE J2 (HS7/HS9)
00-915350	PC BOARD, KEYPAD
00-914408	COVER, RING GUARD
00-478420	ROLLER, ASSY TRANSPORT
00-915598	GASKET, AUTO BEZEL
00-915387	KNOB, AUTO ENGAGEMENT
00-914753-00002	PACK ASY, SLICE KNIFE
00-915308	PLUG, RULON
00-915630-00002	BOTTOM COVER
00-915373	BELT, 150 TOOTH
00-087711-00357	SWITCH, REED
00-915346	OVERLAY, AUTO
00-914571	SHARPENER, ASSEMBLY

MG1532

Mixer-Grinder



PART NUMBER	PART NAME
00-118266	STUD CYLINDER
00-873821	BRIDGE, FULL WAVE
00-479070	SEAL, MIX ARM
00-875510	BOARD, PRINTED CIRCUIT ASSY
00-875712	TUBING & CLAMP ASSY. 66"
00-913102-00194	I, KIT, SWITCH OPERATOR & BLOCK
00-968056	I, ASSY., KIT-CONTACTOR
00-913102-00195	I, KIT, SWITCH OPERATOR & BLOCK
00-087711-214-1	SWITCH, ACTUATOR
00-873427-00002	CAP, PROTECTIVE
00-873427	CAP, PROTECTIVE
00-873570	WRENCH, CYLINDER
00-294325-00021	BLOCK, TERMINAL-4 POLE
00-087711-213-1	SWITCH, AIR ACTUATED
00-477924	CASTER, 4" WHEEL
00-478220-00001	HEATER, 208V
00-938712	I ASSY, TRANSFORMER, LOW VOLTAGE
00-087711-307-1	SWITCH, REED
00-946633	SWITCH, REED & TUBE
00-479257	KNIFE #32, HOBART STAY SHARP

MG2032

Mixer-Grinder



PART NUMBER	PART NAME
00-118266	STUD CYLINDER
00-875510	BOARD, PRINTED CIRCUIT ASSY
00-873821	BRIDGE, FULL WAVE
00-875712	TUBING & CLAMP ASSY. 66"
00-968056	I, ASSY., KIT-CONTACTOR
00-913102-00194	I, KIT, SWITCH OPERATOR & BLOCK
00-087711-214-1	SWITCH, ACTUATOR
00-913102-00195	I, KIT, SWITCH OPERATOR & BLOCK
00-479070	SEAL, MIX ARM
00-873427-00002	CAP, PROTECTIVE
00-087713-094-2	CONTACTOR, 50A, 3 POLE
00-478220-00001	HEATER, 208V
00-294325-00021	BLOCK, TERMINAL-4 POLE
00-087711-213-1	SWITCH, AIR ACTUATED
00-873427	CAP, PROTECTIVE
00-873570	WRENCH, CYLINDER
00-875785	SWITCH, FOOT ASSEMBLY
00-087711-307-1	SWITCH, REED
00-477924	CASTER, 4" WHEEL
00-477653-00002	LIGHT, PILOT 230V

4246 Mixer-Grinder



PART NUMBER	PART NAME
00-118266	STUD CYLINDER
00-875712	TUBING & CLAMP ASSY. 66"
00-087711-214-1	SWITCH, ACTUATOR
00-105196	OUTER SEAL
00-478752-00005	TWO-POSITION TOGGLE SATIN CHROME RING
00-087711-322-3	BLOCK, CONTACT
00-294854	REED MTG BOARD
00-186641	SCREW, ASSY CONV
00-873427-00002	CAP, PROTECTIVE
00-102825-00003	GASKET
00-108591	OIL SEAL
00-478752-00008	EXTENDED MOUNT, RED CAP O SATIN CHROME RING
00-873570	WRENCH, CYLINDER
00-087711-213-1	SWITCH, AIR ACTUATED
00-873427	CAP, PROTECTIVE
00-087713-071-1	CONTACTOR, 50A 3 POLE
00-875785	SWITCH, FOOT ASSEMBLY
00-120872-00002	SWITCH
00-186657	SEAL, OIL
00-875585	TRANSMISSION ASSY.

6614 Meat Saw



PART NUMBER	PART NAME
00-291658	PLASTIC GUIDE
00-435958-00002	KNOB-POSITIONING
00-913102-00286	MEAT SAW WIPER KIT (6801/5801)
ML-134098-0000Z	ML, PK MTL, 14" SAW PULLEY
00-436447	DRIVE PIN
00-875567	SWITCH, ASSEMBLY
ML-134048-0000Z	UPPER SAW PULLEY, 14", 6614
00-087713-102-1	CONTACTOR, 3P, 30A/AUX SW
00-291670-00001	GUIDE
00-913102-00257	KIT, LOWER DRIVE UNIT
00-102399	UPPER PULLEY WIPER
00-873789	BUMPER, CARRIAGE
00-290844-00001	BLADE GUIDE
00-873500	TENSION, ASSY & PACKING
00-873825	SWITCH, & BRKT ASSY (60 HZ)
00-291435	PUSHER PLATE
00-290885	KNOB
00-937691	SCREW, ANCHOR
00-102973-00019	EP 460 10 OZ
00-437301-00001	MOTOR, ASSY

6801 Meat Saw



PART NUMBER	PART NAME
00-291658	PLASTIC GUIDE
00-913102-00286	MEAT SAW WIPER KIT (6801/5801)
00-435958-00002	KNOB-POSITIONING
00-436447	DRIVE PIN
ML-109653-0000Z	SAW PULLEY, 16"
00-087713-102-1	CONTACTOR, 3P, 30A/AUX SW
00-875567	SWITCH, ASSEMBLY
00-913102-00304	KIT, LOWER SHAFT (6801)
ML-104999-0000Z	UPPER SAW PULLEY, 16", 6801
00-873825	SWITCH, & BRKT ASSY (60 HZ)
00-873500	TENSION, ASSY & PACKING
00-291670-00001	GUIDE
00-873789	BUMPER, CARRIAGE
00-290844-00001	BLADE GUIDE
00-291502	CLIP
00-102399	UPPER PULLEY WIPER
00-290885	KNOB
00-437469	CARRIAGE, ASSY
00-437301-00001	MOTOR, ASSY
00-937691	SCREW, ANCHOR

4146 Meat Grinder



PART NUMBER	PART NAME
00-087711-183-1	SWITCH, PUSHBUTTON
00-087711-183-2	SWITCH, PUSHBUTTON
00-102467-00001	CAP (BLACK)
00-102467-00002	CAP (RED)
00-291727	SWITCH PLATE
00-102973-00071	EP 460 128 OZ
00-291919	PLATE ASSY., SW & PLT
00-069490	SEAL
00-946621-00001	I, STARTER KIT, 200-208/60/3
00-873570	WRENCH, CYLINDER
00-102973-00073	EP 460 16 OZ
00-875585	TRANSMISSION ASSY.
00-111823	WORM ASSY
00-089272-00018	FEED STOMPER
00-118266	STUD CYLINDER
00-121926-00001	CONTACTOR & SCREW
00-186713	GEAR, FLEXA
01-436502-85317	ADAPTOR KIT
00-087711-307-1	SWITCH, REED
00-101121	BOWL CYLINDER

4732 Meat Chopper



PART NUMBER	PART NAME
00-114514	START SWITCH
00-070487-00009	CAPACITOR
00-085961	SEAL-SQ DR SHAFT
00-938934-00001	CYLINDER, SST, SUBASSY
00-102973-00035	EP 460 28 OZ
00-085891	SHAFT-SQ DRIVE
00-873570	WRENCH, CYLINDER
00-072981-00003	STUD-CYLINDER
00-873697	RING, ADJUSTING-SST
00-102825-00001	GASKET HSG
00-479257	KNIFE #32, HOBART STAY SHARP
00-121926-00001	CONTACTOR & SCREW
00-064814	END, CAP, LEG
00-109070-00021	KEY
00-108581-00001	PLATE #32-3/16 in
00-111825	WORM ASSY
00-065477-112-2	STATOR ASSY
00-077049	PLATE-GRATER
00-087713-040-1	CONTACTOR
00-008917	SCREW

4732A Meat Chopper



PART NUMBER	PART NAME
00-875567	SWITCH, ASSEMBLY
00-087711-154-1	INTERLOCK SWITCH
00-111825	WORM ASSY
00-290116	PAN & INTERLOCK KNOB
00-938934-00001	CYLINDER, SST, SUBASSY
00-124680	SHFT INTLK ACT
00-102825-00001	GASKET HSG
00-087713-101-1	CONTACTOR, 3P, 30A/AUX SW
00-019105-00002	BUMPER
00-479257	KNIFE #32, HOBART STAY SHARP
00-946623	I, KIT SHAFT & ACTUATOR
00-873697	RING, ADJUSTING-SST
00-114514	START SWITCH
00-086163-00001	KNOB
00-873570	WRENCH, CYLINDER
00-124690	KEY SHAFT ASSY
00-124689	KNOB
00-080538-00001	BUSHING
00-290059	INSULATOR
00-123988	HSG INTLK ACT SHFT

4812 Meat Chopper



PART NUMBER	PART NAME
00-944009	MOTOR, ASSY. (1 PH)
00-102973-00095	LUBRICANT,/CONTAINER ASSY
00-914131	GASKET
00-290339	KNIFE, #12, HOBART STAY SHARP
00-944048	CAPACITOR, START
00-016426-00002	PLATE #12 SS 3/8
00-103881-00047	LUBRICANT,/CONTAINER ASSY
00-068338	WORM ASSY
00-004839-00001	WASHER
00-117542-00007	CORD & PLUG
00-015878	WORM ASSY
00-067500-00115	O RING
00-087714-042-1	RELAY, 2 POLE
00-070487-00003	CAPACITOR
00-016423-00002	PLATE #12 SS 1/8
00-077370	FLEXA GEAR
00-004221	WASHER
00-087711-232-1	SWITCH
00-119860-00001	#12 CHOPPER END
00-119953	SWITCH PLATE

4822 Meat Chopper



PART NUMBER	PART NAME
00-944059	SWITCH ASSY.
00-291961	PLATE
00-290372	KNIFE #22, HOBART STAY SHARP
00-916909-00030	POWER CORD ASSY.
00-108197-00004	THUMB SCREW
00-077643-00002	ADJUSTING RING
00-087711-148-1	SWITCH
00-914156	SEAL, OIL
00-914278	CAPACITOR, START
00-064824	GROMMET
00-914131	GASKET
00-914127	GEAR, LOW SPEED ASSEMBLY
00-087711-140-1	SWITCH 3 PH
00-015881	WORM ASSY
00-085386	CYLINDER & GUARD
00-016432-00001	PLATE #22 1/4
00-102973-00095	LUBRICANT,/CONTAINER ASSY
00-004221	WASHER
00-004839-00001	WASHER
00-914275	MOTOR, ADAPTER ASSEMBLY, 1 PHASE

LXeC Undercounter Dishmachine



PART NUMBER	PART NAME
00-949651-00001	HOSE, P-PUMP, SERVICE, LXe 7.25"
00-950372-00002	SENSOR, ASSY., SANI/DET
00-942096-00001	RINSE PUMP, 120V
00-941670	RINSE ARM ASSY
00-941798	VALVE, DELTROL
00-950549	ASSY., RINSE, CHEMICAL
00-185105-00004	TUBING, CLEAR, 144"
00-528499	CLAMP, HOSE
00-941638-00002	PUMP CHEMICAL BLUE, WELCO
OR-001-24	O-RING
00-941611-00002	WASH ARM ASSY
00-557627	CLAMP, HOSE
00-941286-00003	ELEMENT-HEATER, SUMP, 120V
SD-035-77	SCREW
00-941548-00002	DISPLAY, GRAPHIC, 128X64, GRASC (ENGLISH ONLY)
00-950372-00003	SENSOR, ASSY., RINSE AID
00-941546-00002	KEYPAD, MEMBRANE
00-941636	WASH TUBE WELDMENT
00-941944-00006	BOARD ASSY, MASTER
00-563609	KIT, TUBING, METALFLEX SENSOR

LXeH

Undercounter Dishmachine



PART NUMBER	PART NAME
00-949651-00001	HOSE, P-PUMP, SERVICE, LXe 7.25"
00-941798	VALVE, DELTROL
00-941670	RINSE ARM ASSY
00-941611-00002	WASH ARM ASSY
00-950546-00001	MANIFOLD, RINSE, HOT
OR-001-24	O-RING
00-941546-00002	KEYPAD, MEMBRANE
00-941636	WASH TUBE WELDMENT
00-942096-00002	RINSE PUMP, 208-240V
00-328994	PROBE, ASSY, RINSE
OR-001-21	O-RING
00-941770-00001	ELEMENT HEATER 208-240V 1 PH
01-240003-00002	STRAINER, FINE
00-948486	WASH ARM SEALING RING
00-941548-00002	DISPLAY, GRAPHIC, 128X64, GRASC (ENGLISH ONLY)
00-950372-00002	SENSOR, ASSY., SANI/DET
00-913102-00327	KIT, CHEMICAL ADAPTER, AIR GAP
00-941747	PROBE, THERMISTOR
00-563609	KIT, TUBING, METALFLEX SENSOR
00-941944-00006	BOARD ASSY, MASTER

LXeR

Undercounter Dishmachine



PART NUMBER	PART NAME
00-949651-00001	HOSE, P-PUMP, SERVICE, LXe 7.25"
00-941611-00001	WASH ARM ASSY
FP-087-46	FITTING,TUBE 1/4, (ADVANSYS)
00-941798	VALVE, DELTROL
00-941546-00001	KEYPAD MEMBRANE, ADVANSYS
00-913170	KIT, RINSE ARM ASSY. & SHAFT
OR-001-21	O-RING
00-941770-00001	ELEMENT HEATER 208-240V 1 PH
00-950693-00001	CASTER ASSY.
00-942096-00002	RINSE PUMP, 208-240V
00-974094	ASSY., RINSE ARM, ADVANSYS
00-941611-00002	WASH ARM ASSY
00-941548-00002	DISPLAY, GRAPHIC, 128X64, GRASC (ENGLISH ONLY)
00-950546-00001	MANIFOLD, RINSE, HOT
00-913102-00391	KIT, FAN WHEEL/BEARING
00-948486	WASH ARM SEALING RING
00-950372-00002	SENSOR, ASSY., SANI/DET
OR-001-24	O-RING
00-563609	KIT, TUBING, METALFLEX SENSOR
00-941944-00006	BOARD ASSY, MASTER

LXePR

Undercounter Dishmachine



PART NUMBER	PART NAME
00-949651-00001	HOSE, P-PUMP, SERVICE, LXe 7.25"
00-950372-00002	SENSOR, ASSY., SANI/DET
00-942096-00001	RINSE PUMP, 120V
00-941798	VALVE, DELTROL
00-941638-00002	PUMP CHEMICAL BLUE, WELCO
00-185105-00004	TUBING, CLEAR, 144"
00-913170	KIT, RINSE ARM ASSY. & SHAFT
00-950549	ASSY., RINSE, CHEMICAL
00-557627	CLAMP, HOSE
00-941611-00001	WASH ARM ASSY
00-950372-00003	SENSOR, ASSY., RINSE AID
OR-001-24	O-RING
00-941611-00002	WASH ARM ASSY
00-948486	WASH ARM SEALING RING
00-941286-00003	ELEMENT-HEATER, SUMP, 120V
00-941772-00002	ADAPTER-CHEMICAL, ADVANSYS
00-942185	PROTECTOR-HI LIMIT
00-328994	PROBE, ASSY, RINSE
00-563609	KIT, TUBING, METALFLEX SENSOR
00-941944-00006	BOARD ASSY, MASTER

LXGeR

Undercounter Glasswasher



PART NUMBER	PART NAME
00-949651-00001	HOSE, P-PUMP, SERVICE, LXe 7.25"
FP-087-46	FITTING, TUBE 1/4, (ADVANSYS)
00-941798	VALVE, DELTROL
00-913170	KIT, RINSE ARM ASSY. & SHAFT
00-974094	ASSY., RINSE ARM, ADVANSYS
00-950372-00003	SENSOR, ASSY., RINSE AID
00-941611-00001	WASH ARM ASSY
00-950372-00002	SENSOR, ASSY., SANI/DET
00-941770-00001	ELEMENT HEATER 208-240V 1 PH
00-941548-00002	DISPLAY, GRAPHIC, 128X64, GRASC (ENGLISH ONLY)
00-185105-00004	TUBING, CLEAR, 144"
00-942096-00002	RINSE PUMP, 208-240V
OR-001-21	O-RING
00-950546-00001	MANIFOLD, RINSE, HOT
00-941546-00001	KEYPAD MEMBRANE, ADVANSYS
00-941638-00002	PUMP CHEMICAL BLUE, WELCO
00-941747	PROBE, THERMISTOR
00-328994	PROBE, ASSY, RINSE
00-941944-00006	BOARD ASSY, MASTER
00-563609	KIT, TUBING, METALFLEX SENSOR

AM14

Door-Type Dishmachine



PART NUMBER	PART NAME
00-112378-00023	DOOR SLIDE
00-067500-00120	O RING
BA-002-40-013PK	PACK OF 13 BA-002-40
00-119051	GASKET PUMP DRAIN
00-119054	GASKET
00-277112	VACUUM BREAKER
00-067500-00012	O RING
00-122674	FLOAT KIT
00-119050	GASKET
00-294692	RINSE PROBE ASSY
00-022731-00006	NOZZLE, RINSE .035 DIA
00-119099-00002	OVERFLOW TUBE
00-067500-00097	O RING
00-277836	SHIM KIT
00-918460	GAUGE, PRESSURE, WATER
00-289121	KIT-LOWER WATER PT
00-119078-00007	ELEMENT, ELEC HEAT
00-436071	RETAINER, SWITCH WL
00-271621	PROBE & SWITCH
00-067500-00072	O RING

AM15

Door-Type Dishmachine



PART NUMBER	PART NAME
00-893093-00001	ARM, RINSE, ASSY
00-563078	KIT, TUBE AND 1/8 INCH CONVERSION
00-328994	PROBE, ASSY, RINSE
00-067500-00120	O RING
00-067500-00012	O RING
00-562915	KIT, REPLACEMENT CHEMICAL CAP
00-289121	KIT-LOWER WATER PT
00-185105-00004	TUBING, CLEAR, 144"
00-893074	BEARING ASSY, RINSE
00-292909	1/2" VAC BREAKER
00-918458-00001	GUIDE, DOOR, STD HEIGHT
00-975322-00018	SQUEEZE TUBE T-50-BV (SANITIZER & RINSE)
00-292910	KIT, VACUUM BREAKER SERVICE
00-122674	FLOAT KIT
00-276407	GASKET
00-974072-00001	KIT, MANIFOLD UPPER AM15
00-893039-00004	GASKET, PUMP TO TANK
00-185111-00002	CLAMP
00-893024	HOSE, DISCHARGE
00-941233-00005	SEAL, SHAFT

AM15T

Door-Type Dishmachine



PART NUMBER	PART NAME
00-328994	PROBE, ASSY, RINSE
00-067500-00120	O RING
00-893093-00001	ARM, RINSE, ASSY
00-918458-00004	TALL DOOR GUIDE
00-289121	KIT-LOWER WATER PT
00-292909	1/2" VAC BREAKER
00-893074	BEARING ASSY, RINSE
00-893834	SEAL, TOP COVER, TALL AM
00-893039-00004	GASKET, PUMP TO TANK
00-892932-00002	BOARD, ASSY., CONTROL, LXi/AM
00-893024	HOSE, DISCHARGE
00-941233-00005	SEAL, SHAFT
00-941233-00010	O RING, RUBBER PUMP MOTOR
00-974072-00001	KIT, MANIFOLD UPPER AM15
00-893103	GASKET, ADAPTER
00-292910	KIT, VACUUM BREAKER SERVICE
00-122674	FLOAT KIT
00-892934-00001	BOARD, RELAY ASSY, LXI/AM15
00-893113	SWITCH, MEMBRANE KEYPAD AM15
00-893801	SPACER, DOOR GUIDE, TALL

AM15VL

Door-Type Dishmachine



PART NUMBER	PART NAME
00-893093-00001	ARM, RINSE, ASSY
00-948668	HUB, WASH ARM
00-328994	PROBE, ASSY, RINSE
00-067500-00120	O RING
00-893074	BEARING ASSY, RINSE
00-941233-00005	SEAL, SHAFT
00-936994	PUMP, RINSE
00-941233-00010	O RING, RUBBER PUMP MOTOR
00-893008	ARM, WASH, ASSEMBLY
00-974072-00002	KIT, MANIFOLD UPPER AM15 VENTLESS
00-289121	KIT-LOWER WATER PT
00-892932-00002	BOARD, ASSY., CONTROL, LXI/AM
00-975233-00001	MOTOR, PUMP, 2HP, CW, FIR, COMPOSITE, 208-266/360-460
00-122674	FLOAT KIT
00-329275-00003	PROBE, SUMP & WIRE ASSY
00-893093-00002	NUT, PLUG, RINSE ARM
00-892934-00001	BOARD, RELAY ASSY, LXI/AM15
00-292909	1/2" VAC BREAKER
00-918458-00001	GUIDE, DOOR, STD HEIGHT
00-087714-046-1	RELAY, 2 POLE (30 AMP)

AM15VLT

Door-Type Dishmachine



PART NUMBER	PART NAME
00-067500-00120	O RING
00-328994	PROBE, ASSY, RINSE
00-948668	HUB, WASH ARM
00-893093-00001	ARM, RINSE, ASSY
00-289121	KIT-LOWER WATER PT
00-936994	PUMP, RINSE
00-893100-00001	VALVE, SOLENOID 1/2", 120V
00-941233-00005	SEAL, SHAFT
00-941233-00010	O RING, RUBBER PUMP MOTOR
00-329275-00003	PROBE, SUMP & WIRE ASSY
00-892932-00002	BOARD, ASSY., CONTROL, LXi/AM
00-122674	FLOAT KIT
00-975233-00001	MOTOR, PUMP, 2HP, CW, FIR, COMPOSITE, 208-266/360-460
00-892934-00001	BOARD, RELAY ASSY, LXI/AM15
00-292909	1/2" VAC BREAKER
00-893074	BEARING ASSY, RINSE
00-893093-00002	NUT, PLUG, RINSE ARM
00-974072-00002	KIT, MANIFOLD UPPER AM15 VENTLESS
00-918458-00004	TALL DOOR GUIDE
00-893834	SEAL, TOP COVER, TALL AM

AM15SCB

Door-Type Dishmachine



PART NUMBER	PART NAME
00-563078	KIT, TUBE AND 1/8 INCH CONVERSION
00-893093-00001	ARM, RINSE, ASSY
00-562915	KIT, REPLACEMENT CHEMICAL CAP
00-975322-00018	SQUEEZE TUBE T-50-BV (SANITIZER & RINSE)
00-067500-00012	O RING
00-893074	BEARING ASSY, RINSE
00-185105-00004	TUBING, CLEAR, 144"
00-563074-00001	TUBING, 1/8 INCH CHEMICAL 15INCH
01-436502-88685	TUBE, 0.250IN, 11IN CUT
00-067500-00034	O RING
00-067500-00120	O RING
00-892715	BOARD, CHEMICAL SENSE, ASSY
00-975322-00019	SQUEEZE TUBE T-50 EPDM PLUS (DETERGENT)
00-975322-00017	ROLLER, DETERGENT YELLOW
00-948668	HUB, WASH ARM
00-185111-00002	CLAMP
00-289121	KIT-LOWER WATER PT
00-975322-00004	CIRCUIT BOARD
00-562209	BOARD CONTROL ASSY, AM15SVL W/ DRAIN PUMP, AM15SCB (ALL)
00-975322-00020	OVERLAY, COVER, PUSH BUTTON, 3 PUMP

AM16

Door-Type Dishmachine



PART NUMBER	PART NAME
00-949651-00001	HOSE, P-PUMP, SERVICE, LXe 7.25"
00-563072-00002	VALVE, RPE (15 L/MIN)
00-941798	VALVE, DELTROL
00-562644-00001	ASSY, RINSE ARM
00-562915	KIT, REPLACEMENT CHEMICAL CAP
00-562597-00002	CONTACTOR, DIN, 20AMP, 208-240V COIL
00-328994	PROBE, ASSY, RINSE
00-562597-00001	CONTACTOR, DIN, 20AMP, 120V COIL
00-975443-00001	HMI HUMAN MACHINE INTERFACE
00-562075-00002	MOTOR, PUMP, 2 HP, CCW, FIR
00-975430-00001	BOARD, CONTROL
00-563609	KIT, TUBING, METALFLEX SENSOR
00-950372-00002	SENSOR, ASSY., SANI/DET
00-950372-00003	SENSOR, ASSY., RINSE AID
00-563722	CONTROL BOARD
00-942096-00004	PUMP, DRAIN, 208-240V 60HZ
01-539157-00001	TRANSMITTER, PRESSURE
00-941429-00002	SWITCH ASSY., INTERLOCK
00-185105-00006	TUBING, BLUE, 144"
00-941638-00005	PUMP, CHEMICAL, WPXI

AM16T

Door-Type Dishmachine



PART NUMBER	PART NAME
00-563072-00002	VALVE, RPE (15 L/MIN)
00-562597-00002	CONTACTOR, DIN, 20AMP, 208-240V COIL
00-562644-00001	ASSY, RINSE ARM
00-563609	KIT, TUBING, METALFLEX SENSOR
00-941798	VALVE, DELTROL
00-562597-00001	CONTACTOR, DIN, 20AMP, 120V COIL
00-942096-00004	PUMP, DRAIN, 208-240V 60HZ
00-975443-00001	HMI HUMAN MACHINE INTERFACE
00-562075-00002	MOTOR, PUMP, 2 HP, CCW, FIR
00-112378-00023	DOOR SLIDE
00-112378-00051	SLIDE, DOOR
00-562895-00001	BLOCK TERMINAL, 3 POLE, 40 AMP
00-563722	CONTROL BOARD
00-975430-00001	BOARD, CONTROL
00-563095-00001	CABLE PHR GOLD, SENSORS
00-328994	PROBE, ASSY, RINSE
00-562182-00001	SUMP HEATER ELEMENT 240V 7200W
00-562262-00001	HEATER BOOSTER, 208-240V
00-893834	SEAL, TOP COVER, TALL AM
00-775612-00001	SENSOR, TEMPERATURE

AM16VL

Door-Type Dishmachine



PART NUMBER	PART NAME
00-562597-00002	CONTACTOR, DIN, 20AMP, 208-240V COIL
00-975453	FAN, AXIAL, 24V
00-775612-00001	SENSOR, TEMPERATURE
00-562644-00001	ASSY, RINSE ARM
00-563722	CONTROL BOARD
00-328994	PROBE, ASSY, RINSE
00-975430-00001	BOARD, CONTROL
00-562597-00001	CONTACTOR, DIN, 20AMP, 120V COIL
00-563072-00002	VALVE, RPE (15 L/MIN)
00-975433	BOARD, EC A6 NEW CARD DAUGHTER
00-562078	RING, KYNAR
00-883466-00001	HUB, UPPER WASH ARM
00-941798	VALVE, DELTROL
01-539157-00001	TRANSMITTER, PRESSURE
00-562320	GASKET, WASH MANIFOLD
00-562538-00003	POWER SUPPLY, 24V, 65W, (2X4)
00-562710	SOLENOID, 24VDC, 3/4INCH TRAVEL
00-562889-00001	CABLE, USB, MALE-A/MALE-A, SERVICE
00-563072-00001	VALVE, RPE (5 L/MIN)
00-563609	KIT, TUBING, METALFLEX SENSOR

AM16VLT

Door-Type Dishmachine



PART NUMBER	PART NAME
00-562644-00001	ASSY, RINSE ARM
00-328994	PROBE, ASSY, RINSE
00-563609	KIT, TUBING, METALFLEX SENSOR
00-775612-00001	SENSOR, TEMPERATURE
00-562597-00001	CONTACTOR, DIN, 20AMP, 120V COIL
00-562597-00002	CONTACTOR, DIN, 20AMP, 208-240V COIL
00-563722	CONTROL BOARD
00-942185	PROTECTOR-HI LIMIT
00-949651-00001	HOSE, P-PUMP, SERVICE, LXe 7.25"
00-528499	CLAMP, HOSE
00-558090	HOSE CLAMP, SPRING BAND
00-288946-00002	FOOT, ADJUSTABLE
00-562075-00001	PUMP, 2HP
00-562075-00002	MOTOR, PUMP, 2 HP, CCW, FIR
00-562534	BRACKET, REED SWITCH MOUNTING
00-562889-00001	CABLE, USB, MALE-A/MALE-A, SERVICE
00-562895-00001	BLOCK TERMINAL, 3 POLE, 40 AMP
00-563074-00004	TUBING, 1/8 INCH CHEMICAL 68 INCH
00-893834	SEAL, TOP COVER, TALL AM
00-913102-00394	KIT, AIR GAP/MANIFOLD/CLAMP

PW10, PW20, PW10eR, PW20eR, PWV, PWVeR Prep Washer



PART NUMBER	PART NAME
00-886610	PLUG
00-941798	VALVE, DELTROL
00-949891	CONTACTOR, 8 AMP, 3 POLE
00-974367	ARM - WASH
00-949039	PROBE, ASSY., 10K
00-324751	I, GLIDE RING
00-948783-00001	PUMP, WASH, FIR
00-948739-00001	RINSE ARM ASSY.
00-942185	PROTECTOR-HI LIMIT
00-918322	CONTACTOR, 3-P,40A
00-949362-00009	RELAY, OVERLOAD, B-FRAME, 208/240 ONLY
00-948741-00001	HEATER, BOOSTER, 240V, 8200W
00-949362-00008	RELAY, OVERLOAD, (380-600 V, 50/60 HZ) (RINSE/WASH PUMP)
00-112378-00023	DOOR SLIDE
00-948986-00001	GASKET, WASH ARM NUT, 2.0MM
00-948740-00001	HEATER ELEMENT, 208V
00-563609	KIT, TUBING, METALFLEX SENSOR
00-562732	NOZZLE, WATERING
00-913102-00394	KIT, AIR GAP/MANIFOLD/CLAMP
00-087713-018-2	CONTACTOR

CL44e, CL54e

Conveyor-Type Dishmachine



CL44e model shown with optional vent hoods

PART NUMBER	PART NAME
00-919363-002PK	Item 00-919363, Pack of 2
00-067500-00057	O RING
00-893535	NOZZLE, ASSEMBLY
00-919758	CURTAIN, SPLASH, 4-PLY
00-328994	PROBE, ASSY, RINSE
00-067500-00120	O RING
00-067500-00014	O RING
00-918322	CONTACTOR, 3-P,40A
00-936951	SLIDE, SLIDER, LARGE,64
00-919509	CURTAIN, SPLASH, SHORT
00-067500-00069	O RING
00-919274	SLIDE, DRIVE, CONVEYOR
00-067500-00007	O RING
00-271837	KIT, 3/8" and 1/2" SOLENOID
00-067500-00019	O RING
00-122674	FLOAT KIT
00-919472-00002	BOARD ASSY, RELAY, FT900, CLE, CLEN
00-974835	BOARD, ASSY, CONTROL, CLE, CLEN
00-067500-00132	O RING
00-292909-00003	BREAKER, VACUUM 1/2"

CL44eR, CL54eR

Conveyor-Type Dishmachine



CL44eR model shown with optional vent hood

PART NUMBER	PART NAME
00-067500-00057	O RING
00-919363-002PK	Item 00-919363, Pack of 2
00-893535	NOZZLE, ASSEMBLY
00-328994	PROBE, ASSY, RINSE
00-919758	CURTAIN, SPLASH, 4-PLY
00-067500-00120	O RING
00-918322	CONTACTOR, 3-P, 40A
00-067500-00014	O RING
00-067500-00007	O RING
00-919274	SLIDE, DRIVE, CONVEYOR
00-919509	CURTAIN, SPLASH, SHORT
00-913102-00409	KIT, DOG/PIN WELDMENTS
00-919472-00002	BOARD ASSY, RELAY, FT900, CLE, CLEN
00-913102-00140	I, HEATER, BSTR W/STUD 30KW 208V
00-292909-00003	BREAKER, VACUUM 1/2"
00-292910	KIT, VACUUM BREAKER SERVICE
00-067500-00019	O RING
00-974835	BOARD, ASSY, CONTROL, CLE, CLEN
00-913102-00377	KIT, TRACK RACK/SLIDER
00-936939	SLIDE, ROD

CL64e

Conveyor-Type Dishmachine



Shown with optional vent hoods

PART NUMBER	PART NAME
00-067500-00057	O RING
00-919363-002PK	Item 00-919363, Pack of 2
00-067500-00120	O RING
00-893535	NOZZLE, ASSEMBLY
00-067500-00014	O RING
00-067500-00019	O RING
00-067500-00069	O RING
00-067500-00132	O RING
00-067500-00136	O RING
00-919758	CURTAIN, SPLASH, 4-PLY
00-936951	SLIDE, SLIDER, LARGE, 64
00-328994	PROBE, ASSY, RINSE
00-919509	CURTAIN, SPLASH, SHORT
00-913102-00409	KIT, DOG/PIN WELDMENTS
00-913135-00225	PROBE & FLOAT ASSY KIT
00-122674	FLOAT KIT
00-067500-00007	O RING
00-919725	WELDMENT, DRAIN
00-289121	KIT-LOWER WATER PT
00-936428	CURTAIN, WASH, 3-PLY, STD, C64E

CL64eR

Conveyor-Type Dishmachine



Shown with optional vent hood at load

PART NUMBER	PART NAME
00-919363-002PK	Item 00-919363, Pack of 2
00-067500-00057	O RING
00-067500-00120	O RING
00-067500-00014	O RING
00-919758	CURTAIN, SPLASH, 4-PLY
00-941120	SCREW, SHOULDER, BLOCK, CLE
00-270983	SPACER, CRADLE DOG
00-893535	NOZZLE, ASSEMBLY
00-936951	SLIDE, SLIDER, LARGE, 64
00-913102-00409	KIT, DOG/PIN WELDMENTS
00-919274	SLIDE, DRIVE, CONVEYOR
00-067500-00069	O RING
00-315191	PEG RACK
00-315193	COMBINATION RACK
00-936857	ARM,CONNECTING, ASSY
00-435968-00001	VALVE, SOLENOID, 1/2
00-557950	GASKET
00-067500-00136	O RING
00-122674	FLOAT KIT
00-292909-00003	BREAKER, VACUUM 1/2"

CLPS66e, CLPS76e, CLPS86e

Conveyor-Type Dishmachine



CLPS66e model shown with optional vent hoods

PART NUMBER	PART NAME
00-919363-002PK	Item 00-919363, Pack of 2
00-067500-00057	O RING
00-893535	NOZZLE, ASSEMBLY
00-067500-00120	O RING
00-913102-00409	KIT, DOG/PIN WELDMENTS
00-067500-00014	O RING
00-919758	CURTAIN, SPLASH, 4-PLY
00-936951	SLIDE, SLIDER, LARGE, 64
00-919509	CURTAIN, SPLASH, SHORT
00-067500-00019	O RING
00-328994	PROBE, ASSY, RINSE
00-270983	SPACER, CRADLE DOG
00-919274	SLIDE, DRIVE, CONVEYOR
00-067500-00069	O RING
00-067500-00132	O RING
00-918322	CONTACTOR, 3-P, 40A
00-067500-00136	O RING
00-122674	FLOAT KIT
00-919218	BEARING, DIA .375
00-271837	KIT, 3/8" and 1/2" SOLENOID

CLPS66eR, CLPS76eR, CLPS86eR

Conveyor-Type Dishmachine



CLPS66eR shown with optional vent hood at load

PART NUMBER	PART NAME
00-067500-00057	O RING
00-919363-002PK	Item 00-919363, Pack of 2
00-067500-00120	O RING
00-122674	FLOAT KIT
00-328994	PROBE, ASSY, RINSE
00-913102-00409	KIT, DOG/PIN WELDMENTS
00-893535	NOZZLE, ASSEMBLY
00-067500-00014	O RING
00-919758	CURTAIN, SPLASH, 4-PLY
00-919509	CURTAIN, SPLASH, SHORT
00-067500-00069	O RING
00-270983	SPACER, CRADLE DOG
00-289121	KIT-LOWER WATER PT
00-936951	SLIDE, SLIDER, LARGE, 64
00-936788	SEAL, COVER, STANDPIPE
00-913135-00225	PROBE & FLOAT ASSY KIT
00-067500-00019	O RING
00-918322	CONTACTOR, 3-P, 40A
00-936307	BRACKET, PUSH, PS22E
00-067500-00132	O RING

CLCS66e, CLCS76e, CLCS86e

Conveyor-Type Dishmachine



CLCS66e model shown

PART NUMBER	PART NAME
00-919363-002PK	Item 00-919363, Pack of 2
00-067500-00057	O RING
00-893535	NOZZLE, ASSEMBLY
00-067500-00120	O RING
00-913102-00409	KIT, DOG/PIN WELDMENTS
00-067500-00014	O RING
00-919758	CURTAIN, SPLASH, 4-PLY
00-936951	SLIDE, SLIDER, LARGE, 64
00-919509	CURTAIN, SPLASH, SHORT
00-067500-00019	O RING
00-328994	PROBE, ASSY, RINSE
00-270983	SPACER, CRADLE DOG
00-919274	SLIDE, DRIVE, CONVEYOR
00-067500-00069	O RING
00-067500-00132	O RING
00-918322	CONTACTOR, 3-P, 40A
00-067500-00136	O RING
00-122674	FLOAT KIT
00-919218	BEARING, DIA .375
00-271837	KIT, 3/8" and 1/2" SOLENOID

CL44eN, CL54eN

Conveyor-Type Dishmachine

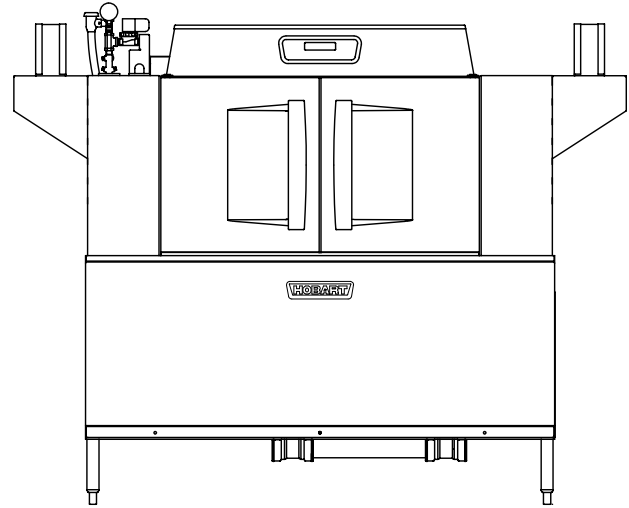


CL44eN model shown

PART NUMBER	PART NAME
00-919363-002PK	Item 00-919363, Pack of 2
00-893535	NOZZLE, ASSEMBLY
00-919758	CURTAIN, SPLASH, 4-PLY
00-328994	PROBE, ASSY, RINSE
00-067500-00120	O RING
00-918322	CONTACTOR, 3-P, 40A
00-067500-00057	O RING
00-919509	CURTAIN, SPLASH, SHORT
00-067500-00014	O RING
00-974835	BOARD, ASSY, CONTROL, CLE, CLEN
00-919472-00002	BOARD ASSY, RELAY, FT900, CLE, CLEN
00-067500-00007	O RING
00-292909	1/2" VAC BREAKER
00-936951	SLIDE, SLIDER, LARGE, 64
00-292909-00003	BREAKER, VACUUM 1/2"
00-067500-00069	O RING
00-271123	PROTECTOR, HIGH LIMIT
00-292910	KIT, VACUUM BREAKER SERVICE
00-271837	KIT, 3/8" and 1/2" SOLENOID
00-913102-00140	I, HEATER, BSTR W/STUD 30KW 208V

CL64eN

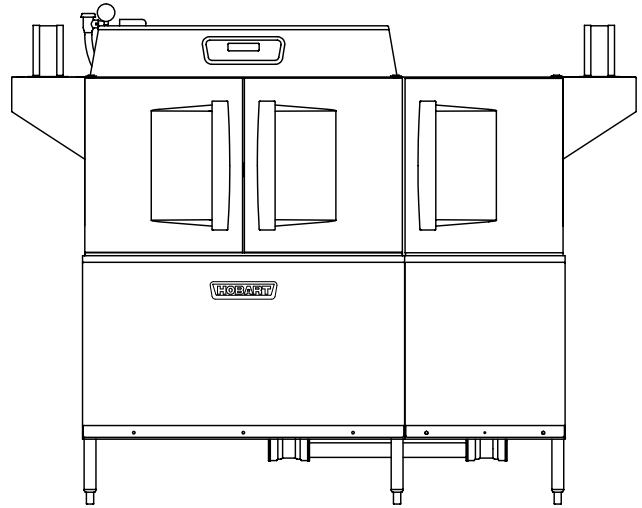
Conveyor-Type Dishmachine



PART NUMBER	PART NAME
00-919363-002PK	Item 00-919363, Pack of 2
00-067500-00069	O RING
00-067500-00120	O RING
00-893535	NOZZLE, ASSEMBLY
00-067500-00057	O RING
00-919758	CURTAIN, SPLASH, 4-PLY
00-919509	CURTAIN, SPLASH, SHORT
00-067500-00014	O RING
00-328994	PROBE, ASSY, RINSE
00-913102-00409	KIT, DOG/PIN WELDMENTS
NS-046-09	NUT
WS-018-04	WASHER
00-270983	SPACER, CRADLE DOG
00-067500-00007	O RING
00-974835	BOARD, ASSY, CONTROL, CLE, CLEN
00-292909	1/2" VAC BREAKER
00-919975	CURTAIN, SPLASH, 4-PLY,HTS
00-936428	CURTAIN, WASH, 3-PLY, STD, C64E
00-918322	CONTACTOR, 3-P, 40A
00-936922	CURTAIN, CARRY OVER, SHORT

CLPS66eN, CLPS76eN, CLPS86eN

Conveyor-Type Dishmachine

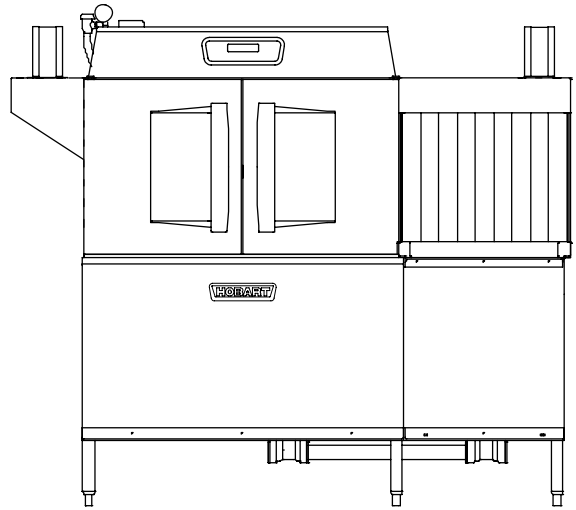


CLPS66eN model shown

PART NUMBER	PART NAME
00-919363-002PK	Item 00-919363, Pack of 2
00-067500-00057	O RING
00-919758	CURTAIN, SPLASH, 4-PLY
00-067500-00120	O RING
00-919509	CURTAIN, SPLASH, SHORT
00-913102-00409	KIT, DOG/PIN WELDMENTS
00-893535	NOZZLE, ASSEMBLY
00-328994	PROBE, ASSY, RINSE
00-067500-00014	O RING
00-067500-00069	O RING
00-936951	SLIDE, SLIDER, LARGE,64
00-918322	CONTACTOR, 3-P, 40A
00-271837	KIT, 3/8" and 1/2" SOLENOID
00-919507	ROD, CURTAIN
00-067500-00019	O RING
00-270983	SPACER, CRADLE DOG
00-271123	PROTECTOR, HIGH LIMIT
00-919274	SLIDE, DRIVE, CONVEYOR
00-974835	BOARD, ASSY, CONTROL, CLE, CLEN
00-919472-00002	BOARD ASSY, RELAY, FT900, CLE, CLEN

CLCS66eN, CLCS76eN, CLCS86eN

Conveyor-Type Dishmachine



CLCS66eN model shown

PART NUMBER	PART NAME
00-919509	CURTAIN, SPLASH, SHORT
00-919975	CURTAIN, SPLASH, 4-PLY, HTS
00-271123	PROTECTOR, HIGH LIMIT
00-936520	CURTAIN, SPLASH, CORNER, CS
00-067500-00014	O RING
00-328994	PROBE, ASSY, RINSE
00-918460	GAUGE, PRESSURE, WATER
00-936931	CURTAIN, ASSY., SIDE, CLCS
00-067500-00057	O RING
00-271837	KIT, 3/8" and 1/2" SOLENOID
00-814918-00001	PUMP, MOTOR, 208-240/480/60/3
00-918322	CONTACTOR, 3-P, 40A
00-919758	CURTAIN, SPLASH, 4-PLY
00-067500-00019	O RING
00-067500-00132	O RING
00-292909	1/2" VAC BREAKER
00-919472-00002	BOARD ASSY, RELAY, FT900, CLE, CLEN
00-936428	CURTAIN, WASH, 3-PLY, STD, C64E
00-936922	CURTAIN, CARRY OVER, SHORT
00-974835	BOARD, ASSY, CONTROL, CLE, CLEN

FT900

Flight-Type Dishmachine



PART NUMBER	PART NAME
00-749431	LINK, DOUBLE, TYPE BB
00-893535	NOZZLE, ASSEMBLY
RR-006-23	RETAINING RING
00-892584-00001	ROD, CONVEYOR
00-913102-00299	KIT, FT900 ROLL CONV (25 EA ROLLERS/RETAINING RINGS)
00-892567-00001	CURTAIN, SPLASH, STD HGT
00-067500-00062	O RING
00-067500-00134	O RING
00-067500-00132	O RING
00-892513	FINGER, STACKING, TRIP ARM
00-067500-00131	O RING
00-120160-00001	CURTAIN ASSY
00-067500-00127	O RING
00-067500-00129	O RING
00-913102-00403	KIT, WASH ARM PLUG & O-RING
00-913135-00225	PROBE & FLOAT ASSY KIT
00-476738-00013	GASKET, CLEAN OUT
00-122674	FLOAT KIT
00-081656-002PK	2 PACK OF 00-081656
00-473109-005-4	INTERLOCK, TANK 3 OR D DOOR

FT1000

Flight-Type Dishmachine



FT1000e Advansys model shown

PART NUMBER	PART NAME
00-950544	LINK, FLIGHT, STANDARD, PLASTIC
00-913102-00289	KIT, CONVEYOR ROLLER (10 EA ROLLERS/RETAING RINGS)
00-067500-00078	O RING
00-067500-00031	O RING
00-950615	FINGER, STACKING, TRIP ARM
00-948730	CURTAIN, SPLASH, 3-PLY, FT
00-948496-00010	NOZZLE, (303SS)
00-948729	CURTAIN, SPLASH, 4-PLY, FT
00-949789-00001	Rod - Conveyor
00-895466	KIT, SEAL, MECH., SHAFT
00-120267-00004	ROD, CURTAIN, 35.25"
00-081808	FLIGHT LINK
00-067500-00134	O RING
00-949432-00003	O-RING, 64 X 5
00-328994	PROBE, ASSY, RINSE
00-948623-00002	HUB, RINSE, UPPER
00-122674	FLOAT KIT
00-948623-00001	HUB, RINSE, LOWER
00-749983	VALVE, SOLENOID, 3/4" STEAM, 120V
00-941798	VALVE, DELTROL

NGW

Next Generation Wrapper



PART NUMBER	PART NAME
00-450505	KIT, BOARD ASSY W/LABELS
00-449961	PRINthead, THERMAL (640)
00-043452	SET, GRIPPER PAD, (GRAY), 1 PK
00-446525	WAND ASSY, POP UP
00-446831	BLOCK, BELT MOUNTING
00-449731	APPLIER, LABEL
00-448322	SENSOR, THERMAL
00-913102-00513	SENSOR ASSY., HALL, HOME
00-913102-00357	KIT, HEATER & CABLE ASSY
00-449019	VALVE ASSY., HUMPHREY M410 24VDC
00-442672	KEY, TAKE-UP
00-448545	SPRING, DOOR
00-442635	ROLLER, ASSY, PRINT
00-445036	DISK, ROLLER
00-448082	BELT, SEALER
00-450050	FILTER/DRYER ASSY, NORGREN
00-445009	POST, ASSY, ELEV.
00-442667	DOOR, LABEL TAKEN SENSOR
00-448992	COMPRESSOR
00-446029	CYLINDER, .75" B X 3.5" STK

HWS

Handwrap Station



HWS-4

PART NUMBER	PART NAME
00-913102-00510	THERMOSTAT
00-130585-00001	TEFLON COVER
00-334294	ELEMENT HEATING
00-440794	KNOB, THERMOSTAT
00-134429	HOT ROD
00-444974	HOTPLATE, ASSY, FLOOR WRAPPER
00-334660	THERMOSTAT
00-441791	TIMER, SPRING WOUND
00-132654-00006	CIRCUIT BD ASSY
00-133320-00005	PILOT LIGHT
FE-022-29	FUSE
00-001818-00035	CONTROL BOARD
00-046603	SHELF, ASSEMBLY, HSW-4
00-334416	WASHER (SET OF 10)
FE-022-73	FUSE HOLDER
00-183648	CLAMP
00-084706	KNOB
SC-123-89	SCREW, MACH 10-32 X 3/4
00-001872-00133	PHOTO EYE
00-001818-00058	SEAL PLATE KIT

W32C Handwrap Station



PART NUMBER	PART NAME
00-334294	ELEMENT HEATING
00-133320-00001	COVER
00-134429	HOT ROD
00-132654-00006	CIRCUIT BD ASSY
00-334124	THERMOSTAT
FE-022-29	FUSE
00-030991	HOLDER-FUSE
00-133320-00005	PILOT LIGHT
00-130585-00001	TEFLON COVER
00-440794	KNOB, THERMOSTAT
00-334289	TERMINAL, SPADE, 1/4, HI-TEMP
00-334416	WASHER (SET OF 10)
FE-022-39	FUSE
WS-019-06	WASHER
FE-022-73	FUSE HOLDER
00-442346	CORD, POWER, 6 FT, 16/3, HSJO
00-913102-00510	THERMOSTAT
00-913089-00147	END CAP ASSY FIXED 3
00-334660	THERMOSTAT
00-130445-00004	SWITCH

CLAS

Compact Label Applier System



PART NUMBER	PART NAME
00-041821	BELT, FLAT DRIVE
00-041582	BELT
00-446029	CYLINDER, .75" B X 3.5" STK
00-446525	WAND ASSY, POP UP
00-447301	VALVE ASSY., HUMPHREY 5"
00-445330-00002	BOARD, COMBO
00-447585	SENSOR, ASSY., IR EMITTER
00-447586	SENSOR, ASSY., IR DETECTOR
00-441065-00002	PUMP, VACUUM
00-441406-00009	FUSE, 250V, 6.3A, 9charted) 5 x 20mm slow
00-042855	BUSHING, ROLLER
00-442761-00003	BELT, CONVEYOR,BLACK
00-042921	SLEEVE, DRIVE ROLLER
00-044899	LOAD CELL, ASSEMBLY
00-042895	BELT, INTAKE
00-440159	ROLLER, ASSY, CONVEYOR
00-183969	BRG, FLANGED
00-043823	SWITCH, SNAP ACTION
00-441580-00002	O RING, 3/8 X 1/2 X 1/16
00-041573	BLOCK, BEARING

HT SERIES

Service Scale



HT SERIES SERVICE SCALE		Hti	HTs	HTiP	HTsP	HTX	HTxP
00-448003	PRINthead, THERMAL 448 DOT, 56MM	X	X	X	X	X	X
00-447080	ASSY, TOUCHSCREEN/Front	X	X	X	X	X	X
00-444875-00005	CASSETTE, ASSY	X	X	X	X	X	X
00-447051	FASCIA, CASSETTE	X	X	X	X	X	X
00-047506	ROLLER, PRINT	X	X	X	X	X	
45-000057-00001	MICRO SD, PROGRAMMED	X	X	X			
00-044479	CORD, 120 VAC POWER	X	X	X	X	X	
00-446820	KIT, MEDIA HALL SENSOR	X	X	X	X	X	
00-447157	DISPLAY 10.1", WVGA, LED BL	X	X	X	X	X	
00-449726	KIT, COMBO BOARD REPLACEMENT (DUAL)	X	X	X	X		
00-444424	SEAL, WIRE ROTO 8"	X	X	X	X	X	X
00-450134-00004	MICRO SD 16G, PROGRAMMED V4.1.300	X	X	X	X		
00-442823	BELT, STEPPER MOTOR	X	X	X	X	X	
00-443075	LOAD CELL, 15KG, MULTIPLE RANGE	X	X	X	X	X	X
00-447018	HOUSING, CONSOLE, REAR, BLACK	X	X	X	X	X	
00-043260	CASSETTE, ASSEMBLY	X	X	X	X		
00-448047	CABLE, SHIELDED TWISTED, OPERATOR DISPLAY	X	X	X	X	X	
00-447040	BUTTON, CONSOLE LATCH	X	X	X	X	X	
00-444875-00003	CASSETTE ASSY, BLACK	X	X	X	X	X	
00-447167	CABLE, TOUCHSCREEN	X	X	X	X		

HTi Service Scale



PART NUMBER	PART NAME
00-448003	PRINthead, THERMAL 448 DOT, 56MM
00-447080	ASSY, TOUCHSCREEN/Front
00-444875-00005	CASSETTE, ASSY
45-000057-00001	MICRO SD, PROGRAMMED
00-447051	FASCIA, CASSETTE
00-047506	ROLLER, PRINT
00-044479	CORD, 120 VAC POWER
00-446820	KIT, MEDIA HALL SENSOR
00-447157	DISPLAY 10.1", WVGA, LED BL
00-449726	KIT, COMBO BOARD REPLACEMENT (DUAL)
00-442823	BELT, STEPPER MOTOR
00-444424	SEAL, WIRE ROTO 8"
00-447167	CABLE, TOUCHSCREEN
00-447018	HOUSING, CONSOLE, REAR, BLACK
00-043260	CASSETTE, ASSEMBLY
00-444875-00003	CASSETTE ASSY, BLACK
00-447040	BUTTON, CONSOLE LATCH
00-448047	CABLE, SHIELDED TWISTED, OPERATOR DISPLAY
00-447039	SRM, CONSOLE LATCH
00-443075	LOAD CELL, 15KG, MULTIPLE RANGE

HBA1G

Rotating Rack Oven



PART NUMBER	PART NAME
01-1000V9-00169	SENSOR, FLAME ROD 1.75"
01-1000V7-00028	BULB, OVEN, 40W, 120V
01-1000V9-00149	IGNITOR, HOT SURFACE
01-1M7311-00001	KIT, LIGHT REPLACEMENT - OV310/OV500 OVENS
01-1000V9-00170	CONTROL, IGNITION 3TFI NO RESET
01-1000V7-00054	40 WATT HALOGEN BULB, 120V G9 BASE
01-1M5652-00002	MOTOR, ASSY-DRAFT INDUCER
01-100V16-00546	LABEL, CONTROL, ADVANCED
01-1000V9-00146	BURNER, IN-SHOT (CROSS OVER)
01-1000V6-00271	RELAY, DPDT-1/2 HP 120VAC(CIT)
00-913135-00149	TUBE 1/4" OD, ALUM., .032W
01-1000V9-00181	VALVE, GAS-COMBINATION (3/4"X3)
01-10J450-00002	CASTER, HEAVY DUTY
01-1M5289-00001	GASKET, LOADING DOOR - JAMB
01-100V16-01036	BOARD, CONTROL-USB COMPATIBLE
01-1M7365-00001	KIT, FIELD REPLACEMENT - 120V/60HZ, 1/2" NPT WATER SOLENOID
01-1000V6-00332	SWITCH, SPDT,12A/125VAC
01-1000V8-00111	CAPACITOR, 4MFD, 370VAC, OVAL

HBA2G

Rotating Rack Oven



PART NUMBER	PART NAME
01-1000V7-00028	BULB, OVEN, 40W, 120V
01-1000V9-00169	SENSOR, FLAME ROD 1.75"
01-1000V7-00054	40 WATT HALOGEN BULB, 120V G9 BASE
01-1M7311-00001	KIT, LIGHT REPLACEMENT - OV310/OV500 OVENS
01-1000V9-00170	CONTROL, IGNITION 3TFI NO RESET
01-1000V9-00149	IGNITOR, HOT SURFACE
01-1000V6-00001	SWITCH, MICRO W/ROLLER
01-100V16-00546	LABEL, CONTROL, ADVANCED
01-1000V4-00400	TAPPING SCREW W/CAPTIVE INTERNAL TOOTH LOCKWASHER
01-1000V6-00332	SWITCH, SPDT, 12A/125VAC
01-1000V4-00074	SCREW, MACHINE - 1/4-20 X 3/4
01-1000V6-00271	RELAY, DPDT-1/2 HP 120VAC(CIT)
01-1M2778-00002	STRIP, SILICONE - FLOOR SEAL
01-1000V7-00058	LENS, OVEN LAMP (FOR V7-57 BASE)
01-1000V9-00181	VALVE, GAS-COMBINATION (3/4"X3)
01-100V16-01036	BOARD, CONTROL-USB COMPATIBLE
01-1000V0-00054	BEARING, FLUOROGOLD W/FLANGE
01-1000V0-00068	WASHER, THRUST-ROTATOR

OV300G

Mini Rotating Rack Oven



PART NUMBER	PART NAME
01-1M4716-00003	GASKET, DOOR
01-1000V9-00151	SENSOR, FLAME ROD
01-1000V4-00121	INSERT, NUT
01-1000V9-00149	IGNITOR, HOT SURFACE
01-100V21-0039A	TAPE, SILICONE - 1/8" (1 BAG = 24 IN)
01-1000V7-00028	BULB, OVEN, 40W, 120V
01-1000V9-00169	SENSOR, FLAME ROD 1.75"
01-1000V9-00152	CONTROL, ELECTRONIC IGNITION
01-1M7222-00001	ASSY, PRESSURE SWITCH - OV310G
01-1000V0-00071	BEARING, THRUST-ROTATOR
01-100V16-01036	BOARD, CONTROL-USB COMPATIBLE
01-1000V3-00090	SHEAVE, 4.35" PITCH, .75" BORE
01-1000V6-00271	RELAY, DPDT-1/2 HP 120VAC(CIT)
01-1A1828-00001	KIT, THERMOCOUPLE
01-100V18-00097	HINGE, REFRIGERATOR - LIFT OFF
01-100V21-0155A	GASKET, WOVEN, 3/8", MRO, (PC=12ft)
01-1M7466-00001	KIT, ROTATION MOTOR & BELT
01-1000V3-00093	BELT, "V"
01-1M7311-00001	KIT, LIGHT REPLACEMENT - OV310/OV500 OVENS

OV310G

Mini Rotating Rack Oven



PART NUMBER	PART NAME
01-1000V9-00151	SENSOR, FLAME ROD
01-100V16-00866	LABEL, CONTROL PANEL OV310 OVEN
01-1M6449-00004	STRIKER, LOADING DOOR
01-100V16-00881	GASKET, VERTICAL - DOOR
01-1000V4-00121	INSERT, NUT
01-1000V7-00054	40 WATT HALOGEN BULB, 120V G9 BASE
01-1000V9-00149	IGNITOR, HOT SURFACE
01-1000V7-00028	BULB, OVEN,40W,120V
01-100V16-01036	BOARD, CONTROL-USB COMPATIBLE
01-1000V9-00152	CONTROL, ELECTRONIC IGNITION
01-1000V9-00169	SENSOR, FLAME ROD 1.75"
01-1M7466-00001	KIT, ROTATION MOTOR & BELT
01-1A1828-00001	KIT, THERMOCOUPLE
01-1M7311-00001	KIT, LIGHT REPLACEMENT - OV310/OV500 OVENS
01-1M5816-00101	SWITCH, ASSEMBLY - DOOR MAGNET
01-1000V3-00090	SHEAVE, 4.35" PITCH, .75" BORE
01-1M6434-00001	KIT, WAVE WASHER
01-1000V9-00188	VALVE, GAS (1-STAGE, 1/2X1/2)
01-1M7222-00001	ASSY, PRESSURE SWITCH - OV310G

OV500G1

Rotating Rack Oven



PART NUMBER	PART NAME
01-1000V9-00169	SENSOR, FLAME ROD 1.75"
01-1000V4-00121	INSERT, NUT
01-1000V4-00412	SCREW, MACH., 10-32 X 1/2 PHIL TRUSS HEAD (SST)
01-1000V7-00028	BULB, OVEN, 40W, 120V
01-1000V7-00054	40 WATT HALOGEN BULB, 120V G9 BASE
01-100V21-0039A	TAPE, SILICONE - 1/8" (1 BAG = 24 IN)
01-1000V9-00149	IGNITOR, HOT SURFACE
01-1M7311-00001	KIT, LIGHT REPLACEMENT - OV310/OV500 OVENS
01-1000V4-00284	SCREW, 10-32X3/4 HEX W/WASHER
01-1M5652-00002	MOTOR, ASSY-DRAFT INDUCER
01-1000V9-00170	CONTROL, IGNITION 3TFI NO RESET
01-100V16-0789A	GASKET, DOOR-OV500 VERT (75.25 IN)
01-1000V7-00058	LENS, OVEN LAMP (FOR V7-57 BASE)
01-1000V6-00271	RELAY, DPDT-1/2 HP 120VAC(CIT)
01-100V16-01036	BOARD, CONTROL-USB COMPATIBLE
01-1000V9-00181	VALVE, GAS-COMBINATION (3/4"X3)
00-913135-00004	TAPE, FIBER WOVEN 1" X .125"T
01-100V12-00008	RIVET, BUTTONHD, SS, RIVET, MANDRE
01-1M7222-00001	ASSY, PRESSURE SWITCH - OV310G

OV500G2

Rotating Rack Oven



PART NUMBER	PART NAME
01-1000V7-00028	BULB, OVEN, 40W, 120V
01-1M7311-00001	KIT, LIGHT REPLACEMENT - OV310/OV500 OVENS
01-1000V7-00054	40 WATT HALOGEN BULB, 120V G9 BASE
01-1000V9-00169	SENSOR, FLAME ROD 1.75"
01-1000V4-00121	INSERT, NUT
01-100V21-0039A	TAPE, SILICONE - 1/8" (1 BAG = 24 IN)
01-100V16-0789A	GASKET, DOOR-OV500 VERT (75.25 IN)
01-1000V9-00149	IGNITOR, HOT SURFACE
01-1000V4-00400	TAPPING SCREW W/ CAPTIVE INTERNAL TOOTH LOCKWASHER
01-1000V9-00170	CONTROL, IGNITION 3TFI NO RESET
01-1000V6-00271	RELAY, DPDT-1/2 HP 120VAC(CIT)
01-1M5652-00002	MOTOR, ASSY-DRAFT INDUCER
01-100V16-0789B	GASKET, DOOR-DBL OV500 (45.313 IN)
01-100V16-0779B	GASKET, DOOR SWEEP
01-1000V6-00001	SWITCH, MICRO W/ROLLER
01-1000V4-00284	SCREW, 10-32X3/4 HEX W/WASHER
01-1000V6-00332	SWITCH, SPDT, 12A/125VAC
01-1000V4-00283	SCREW, 1/4-20X3/4 HEX W/WASHER
00-913102-00393	KIT, ROLLER BEARING & SLEEVE, OV500

OV500G1EE

Rotating Rack Oven



PART NUMBER	PART NAME
01-1000V7-00054	40 WATT HALOGEN BULB, 120V G9 BASE
01-1000V9-00169	SENSOR, FLAME ROD 1.75"
01-100V16-00866	LABEL, CONTROL PANEL OV310 OVEN
01-1000V7-00058	LENS, OVEN LAMP (FOR V7-57 BASE)
01-1M7311-00001	KIT, LIGHT REPLACEMENT - OV310/OV500 OVENS
01-100V16-01036	BOARD, CONTROL-USB COMPATIBLE
01-1000V8-00156	MOTOR, DRAFT INDUCER
01-1000V9-00201	IGNITOR, SPARK BURNER
00-913102-00393	KIT, ROLLER BEARING & SLEEVE, OV500
01-1000V9-00204	IGNITION MODULE
01-1000V6-00271	RELAY, DPDT-1/2 HP 120VAC(CIT)
01-100V16-00529	CASTING, STEAMER
01-100V16-0789A	GASKET, DOOR-OV500 VERT (75.25 IN)
01-1A1828-00001	KIT, THERMOCOUPLE
01-1M5065-00001	BRACKET, WATER GUIDE
01-1M6717-00001	SENSOR, FLAME - ROLL OUT ASSY.
01-1M7343-00001	HANDLE, INNER-DOOR
01-1000V9-00181	VALVE, GAS-COMBINATION (3/4" X 3)

OV500G2EE

Rotating Rack Oven



PART NUMBER	PART NAME
01-1000V7-00054	40 WATT HALOGEN BULB, 120V G9 BASE
01-1M7311-00001	KIT, LIGHT REPLACEMENT - OV310/OV500 OVENS
01-1000V9-00169	SENSOR, LAME ROD 1.75"
01-100V16-0789A	GASKET, DOOR-OV500 VERT (75.25 IN)
01-1000V7-00028	BULB, OVEN, 40W, 120V
01-100V16-0789B	GASKET, DOOR-DBL OV500 (45.313 IN)
01-1000V4-00121	INSERT, NUT
01-1000V7-00058	LENS, OVEN LAMP (FOR V7-57 BASE)
01-1000V9-00201	IGNITOR, SPARK BURNER
01-100V16-0779B	GASKET, DOOR SWEEP
01-100V16-00866	LABEL, CONTROL PANEL OV310 OVEN
01-1000V4-00284	SCREW, 10-32X3/4 HEX W/WASHER
01-1000V4-00400	TAPPING SCREW W/CAPTIVE INTERNAL TOOTH LOCKWASHER
00-913102-00393	KIT, ROLLER BEARING & SLEEVE, OV500
01-1000V8-00156	MOTOR, DRAFT INDUCER
01-100V12-00008	RIVET, BUTTONHD, SS, RIVET, MANDRE
01-100V16-01036	BOARD, CONTROL-USB COMPATIBLE
01-1000V9-00202	MODULE, IGNITION

